



Clever Lever Switch™ Specification Sheet

Thank you for selecting one of our new Clever Lever Switch™ Portable Lighting Fixtures. The Clever Lever Switch™ system adds a convenience never before seen in the lighting industry. The various designs of the Clever Lever Switch™ provide a large and easy to manage on/off switch for everyone in your household.

The pull chain on your Clever Lever Switch™ lamp is rated for 20 lbs maximum force. If the pull chain happens to break, there are two options for easy repair. We recommend that any repair done involving the socket and/or wiring box should be done by a licensed electrician.

1. If the pull chain breaks inside the socket or wiring box you will need to rewire the lamp with a new pull chain socket or pull switch assembly.

- After rewiring is done untwist B cap as shown in Fig.1 and take off the C clip from the ball chain.
- Put new chain through the B cap and attach C clip at desired level.
- Cut excess ball chain and re-attach B cap to D threaded base as shown in Fig.1.
- After repair the Clever Lever Switch™ assembly should look like Fig.2.

2. If your pull chain breaks outside of the pull chain socket or pull switch assembly you will need to use a ball chain connector E shown in Fig.3 to fix your lamp.

- Attach ball chain connector E to one end of the ball chain.
- One ball from the other side of the chain will need to be cut off to keep Clever Lever™ switch at its original position.
- Attach this cut end to the connector.
- After repair your Clever Lever Switch™ assembly, should look like Fig.3.

The Clever Lever Switch™ system is a trade marked product and Patent Pending.

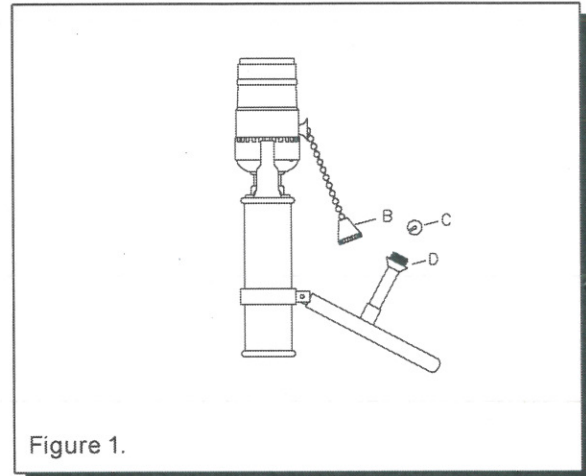


Figure 1.

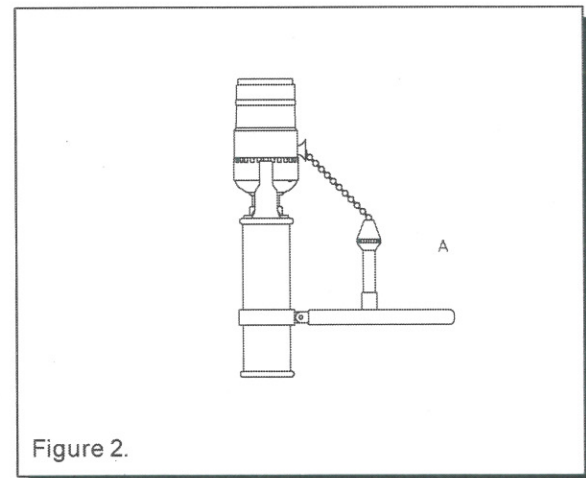


Figure 2.

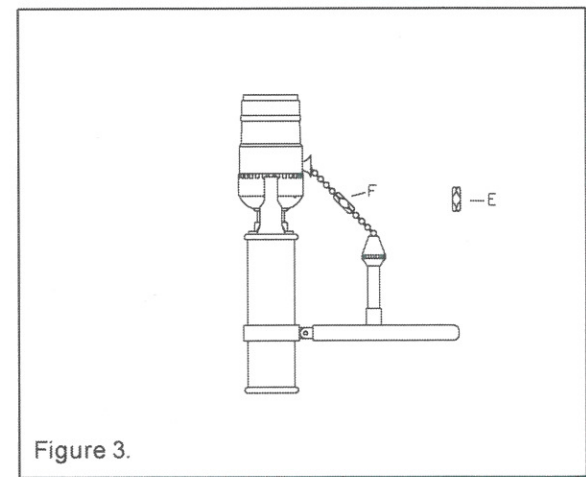


Figure 3.